

→ Keystone Jack Application



Part No.	Description
3D01-A01-00001	UTP 90 degree C5e punch down 110 type KSJ
3D01-A01-00002	UTP 90 degree C6 punch down 110 type KSJ
3D01-A01-00003	UTP 180 degree C5e punch down 110 type KSJ
3D01-A01-00004	UTP 180 degree C6 punch down 110 type KSJ

[XX] = Color Option ○WH ●BK ●RE ●BL ●GN ●YE ●IV



Part No.	Description
3D01-A01-00005	UTP 90 degree C6A punch down 110 type KSJ
3D01-A01-00006	FTP 180 degree C5e punch down 110 type KSJ
3D01-A01-00007	FTP 180 degree C6 punch down 110 type KSJ
3D01-A01-00008	FTP C6A Toolless KSJ
3D01-A01-00009	FTP C6A Toolless slim-type KSJ

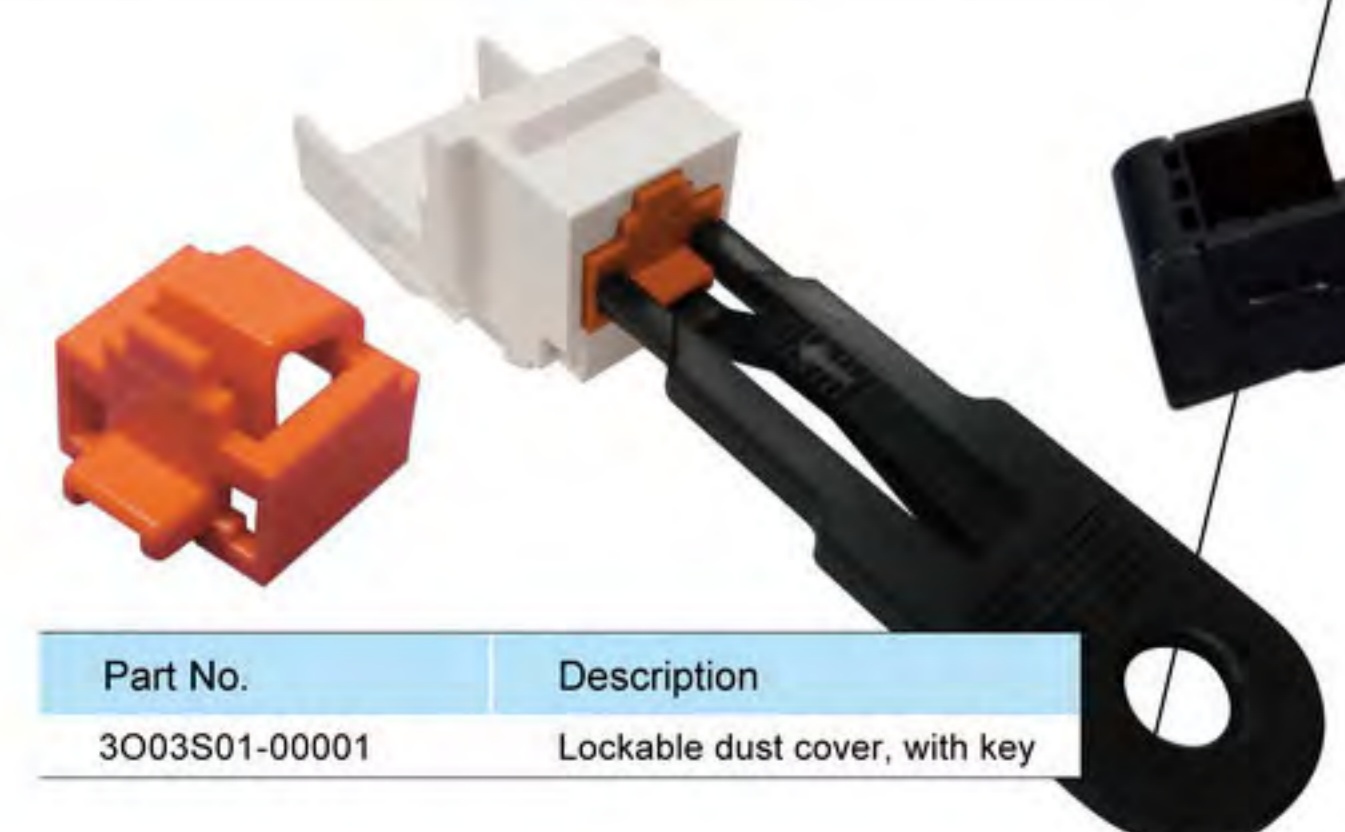
[XX] = Color Option ○WH ●BK



Part No.	Description
3D01-A01-00010	UTP C6 180 degree punch down type

[XX] = Color Option ○WH ●BK ●RE ●BL ●GN ●YE ●IV

Lockable dust cover



Part No.	Description
3O03S01-00001	Lockable dust cover, with key



EZ-Term Tool

Part No.	Description
3D01-F01-00001	Termination EZ Tool for KSJ

EXCELLENCE WIRE IND. CO., LTD.
NINGBO EXCELLENCE COMMUNICATED CONNECTOR CO.,LTD.



Email: service@mail.exw.com.tw Phone: +886-3-3222120 Fax: +886-3-3525455
 No.13, Lane 39, Sec.2, Chang An Rd., Luchu Dist., Taoyuan City 33852, Taiwan



Wire Excellence

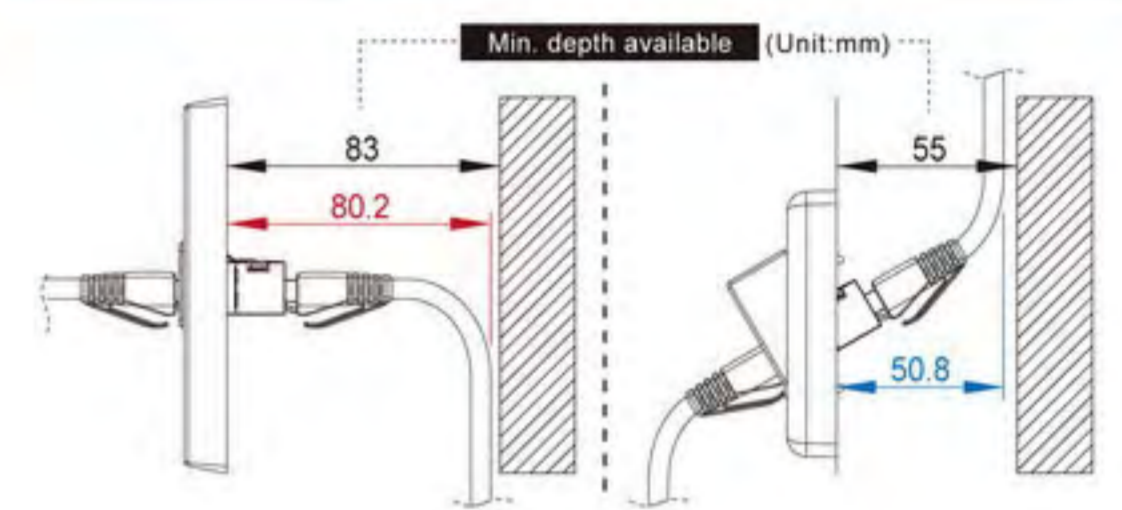
THE BEST WIRING THE WORLD

<http://www.exw.com.tw/>
<http://exwtw.en.alibaba.com/>



In-Line Coupler

■ The common 180° coupler takes more room and is not available in cramped space.



Part No.	Description
3D01-B01-00001	UTP 180 degree C5e in-line coupler
3D01-B01-00002	UTP 180 degree C6 in-line coupler
3D01-B01-00003	UTP 180 degree C6A in-line coupler

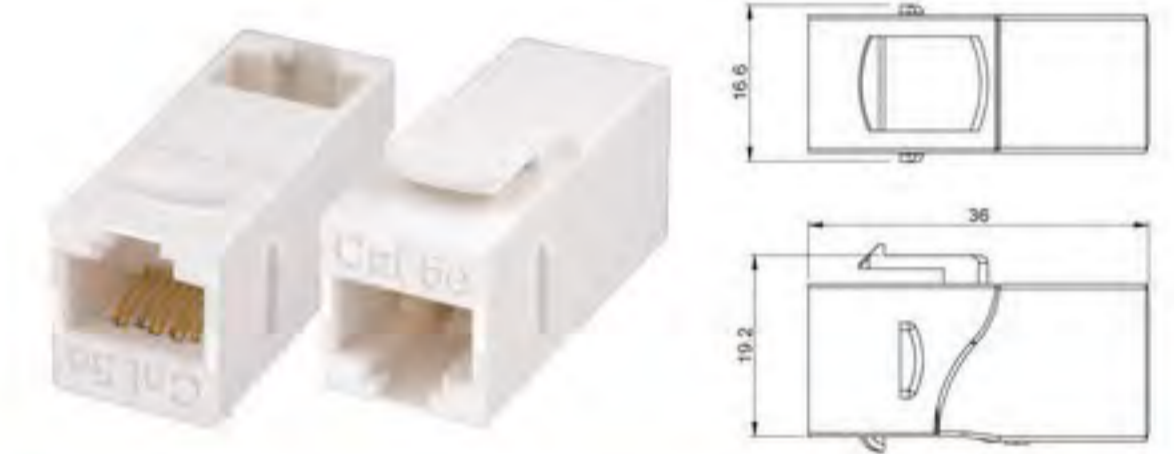
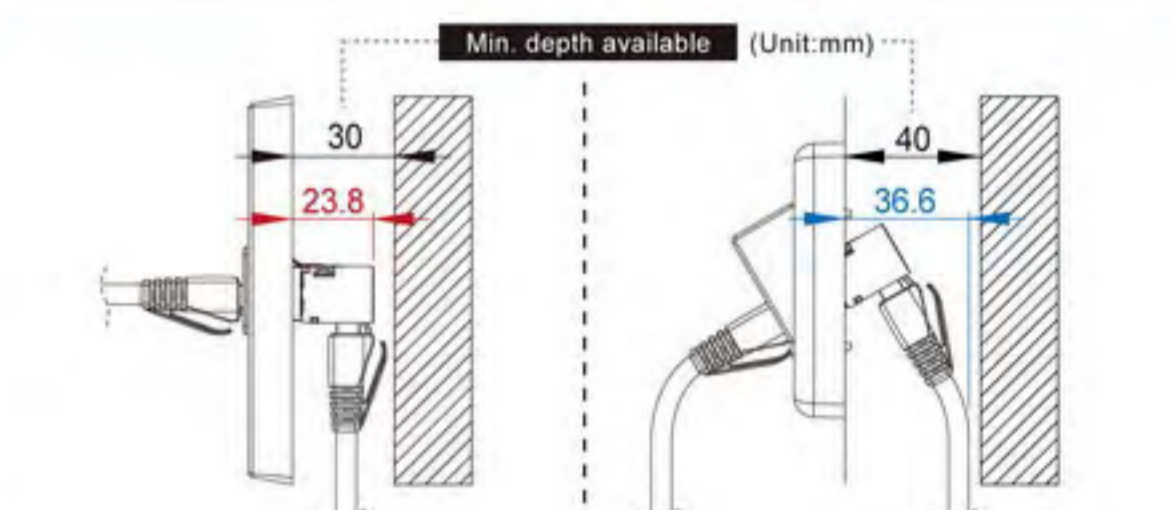
[XX] = Color Option ○WH ●BK ●RE ●BL ●GN ●YE ●IV



Part No.	Description
3D01-B01-00007	FTP 180 degree C5e in-line coupler
3D01-B01-00008	FTP 180 degree C6 in-line coupler
3D01-B01-00009	FTP 180 degree C6A in-line coupler

[XX] = Color Option ○WH ●BK

■ The new 90° coupler saves room in mounting box or cramped space.



Part No.	Description
3D01-B01-00004	UTP 90 degree C5e in-line coupler
3D01-B01-00005	UTP 90 degree C6 in-line coupler
3D01-B01-00006	UTP 90 degree C6A in-line coupler



Part No.	Description
3D01-B01-00010	FTP 90 degree C5e in-line coupler
3D01-B01-00011	FTP 90 degree C6 in-line coupler
3D01-B01-00012	FTP 90 degree C6A in-line coupler



Part No.	Description
3D01-C02-00001	1U 24 Port UTP/FTP empty panel



Quick-Assemble



Quick-Release



Part No.	Description
3D01-C02-00002	1U 48 port UTP empty panel, high density
3D01-C02-00003	1U 48 port FTP empty panel, high density



Part No.	Description
3D01-C02-00004	1U 24 Port v-type empty panel



Hinged bearing



1U 24 port / 110 type or krone w/cable management



Part No.	Description
3D01-C01-00001	UTP 180 degree C5e
3D01-C01-00002	UTP 180 degree C6



Part No.	Description
3D01-C01-00005	FTP 90 degree C5e
3D01-C01-00006	FTP 90 degree C6



Part No.	Description
3D01-C01-00003	UTP 90 degree C5e
3D01-C01-00004	UTP 90 degree C6



1U 48 port High density / 110 type or krone w/cable management



Part No.	Description
3D01-C01-00007	UTP 90 degree C5e, high density
3D01-C01-00008	UTP 90 degree C6, high density



Part No.	Description
3D01-C01-00009	FTP 90 degree C5e, high density
3D01-C01-00010	FTP 90 degree C6, high density



UTP

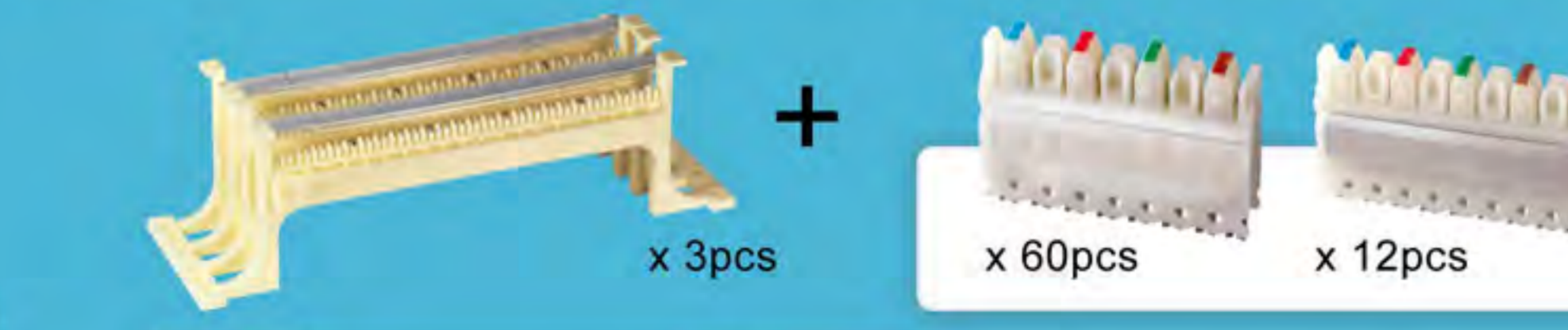


FTP

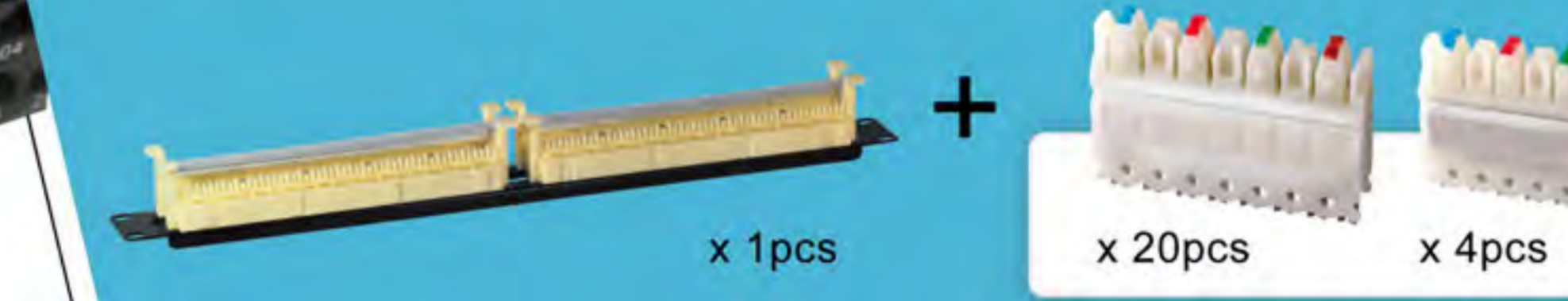
Cross-Connect



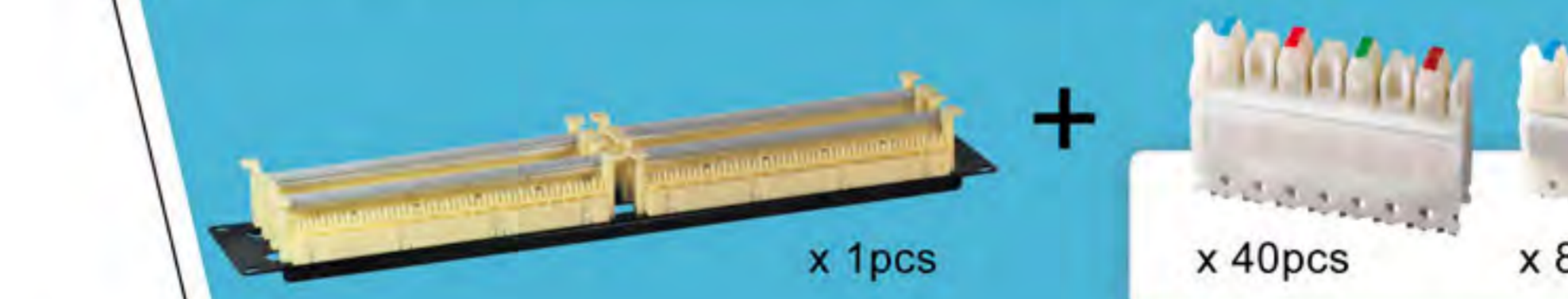
Part No.	Feature
3D01-E01-00001	110 wiring block w/legs 100 pair, w/110 connector



Part No.	Feature
3D01-E01-00002	110 wiring block w/legs 300 pair, w/110 connector



Part No.	Feature
3D01-E01-00003	110 wiring block Panel 100 pair, w/110 connector



Part No.	Feature
3D01-E01-00004	110 wiring block Panel 200 pair, w/110 connector

Cable Management

Part No.	Description
3D01-D01-00001	Cable management 1U 15 slots
3D01-D01-00002	Cable management 2U 15 slots



Part No.	Description
3D01-D01-00003	Cable management 1U 5 hanger
3D01-D01-00004	Cable management 2U 10 hanger



Part No.	Description
3D01-D01-00005	Cable management 1U 4 hanger
3D01-D01-00006	Cable management 2U 4 hanger



Single Gang Faceplate

Part No.	Port	Size (mm)
3D01-H01-00001	1	114 x 70
3D01-H01-00002	2	
3D01-H01-00003	3	
3D01-H01-00004	4	
3D01-H01-00005	6	

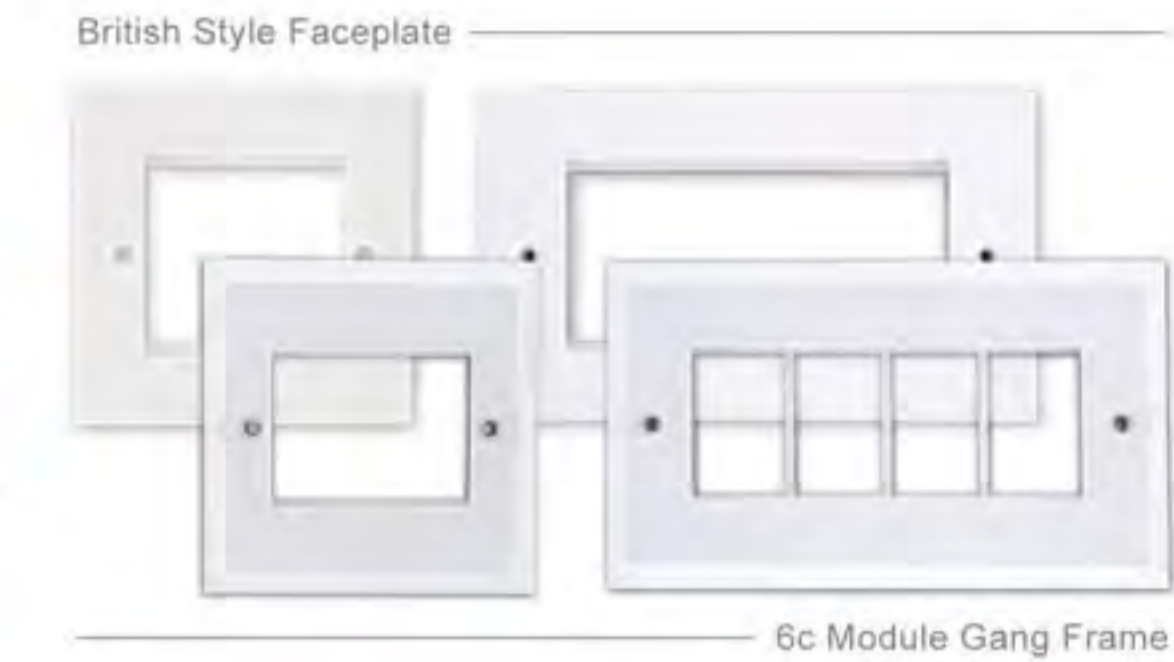
[XX] = Color Option ○WH ●IV



Faceplate

Part No.	Inner Size (mm)	Outer Size (mm)
3D01-H01-00007	50 x 50	86 x 86
3D01-H01-00008	100 x 50	146 x 86
3D01-H01-00009	50 x 38.5 (6C style)	86 x 86
3D01-H01-00010	100 x 38.5 (6C style)	146 x 86

[XX] = Color Option ○WH ●IV



Shuttered Faceplate

Part No.	Port	Size (mm)
3D01-H01-00014	2	80 x 80
3D01-H01-00015	3	

[XX] = Color Option ○WH ●IV ●BK



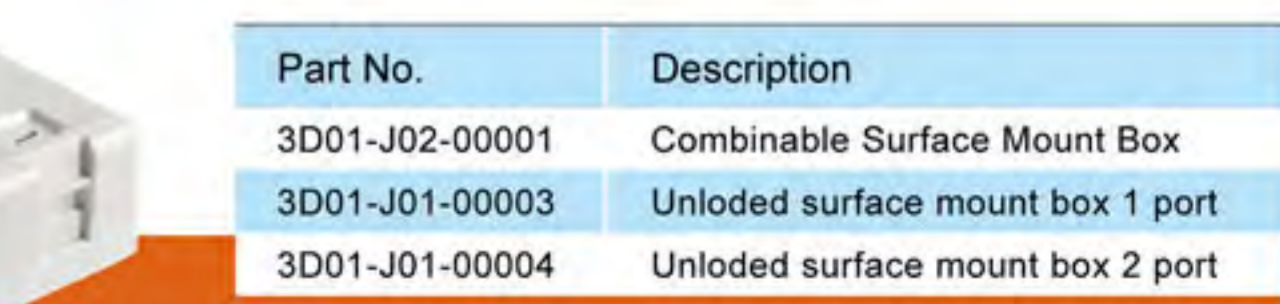
Unloaded module

Part No.	Size
3D01-I01-00001	w/shutter 25*50 mm
3D01-I01-00004	w/shutter 6C 25*38.5 mm



Unloaded angle module

Part No.	Description
3D01-I01-00002	w/shutter 1 port 25*50 mm
3D01-I01-00003	w/shutter 1 port 25*50 mm, No Icon



Part No.	Description
3D01-J01-00005	Unloaded surface mount box 4 port
3D01-J01-00006	Unloaded surface mount box 6 port



Part No.	Description
3D01-J02-00001	Combinable Surface Mount Box
3D01-J01-00003	Unloaded surface mount box 1 port
3D01-J01-00004	Unloaded surface mount box 2 port